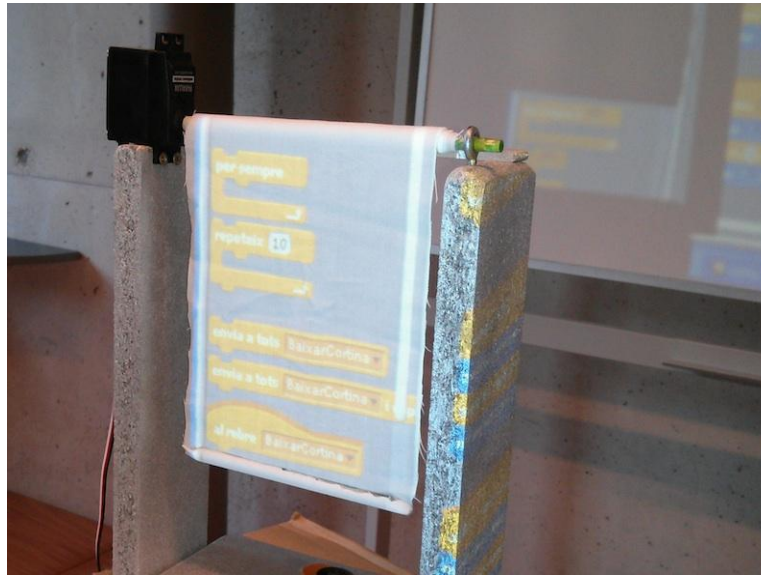
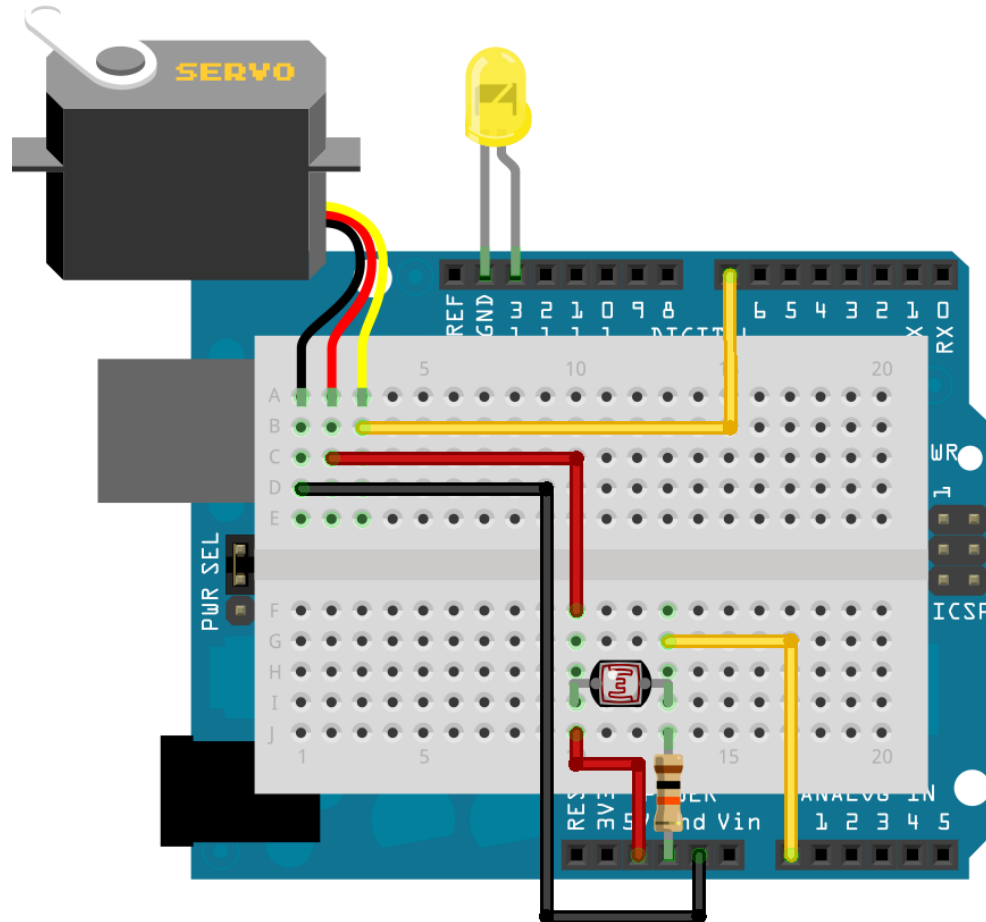


>> Sample 2 - Domotics with S4A Introduction





- Demonstration of a domotic application of a "curtain-blind" powered by a continuous rotation servo and a light sensor (LDR). An LED is also optional!
- How to use data obtained from a sensor to produce a response with an actuator.
- <http://tecnoestiu.citilab.eu/>

>> Sample 2 - Domotics with S4A Schematics



Made with  Fritzing.org

>> Sample 2 - Domotics with S4A Code tips

- To move the servo of the curtain: 
- To stop it: 
- **Question 1:** how to stop it after a certain amount of time?
- To check if the light sensor is above a certain value (for example, 100):



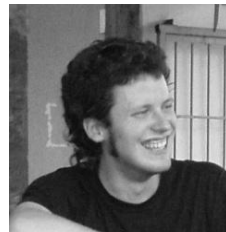
- **Question 2:** how can we estimate when to stop moving the curtain up or down?

>> Citilab Scratch Team

Thank you



<http://www.citilab.eu>



Jordi Delgado . Bernat Romagosa . Joan Güell . Victor Casado . José García
<http://seaside.citilab.eu>
scratch@citilab.eu